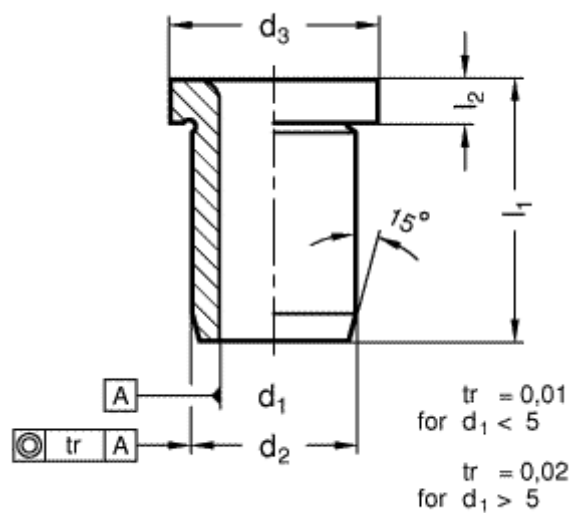


Article number: 201134011

Description: E+G Guide bush DIN 172-B3,3-8-A
with Collar

Measures



$d_1 = 3,3$ for M4

$d_2 = 6$

$d_3 = 9$

$l_1 = 8$

$l_2 = 3$